



File Name: Crosman rm 577 manual.pdf

Size: 1695 KB

Type: PDF, ePub, eBook

Category: Book

Uploaded: 1 May 2019, 17:38 PM

Rating: 4.6/5 from 770 votes.

Download Now!

Please check the box below to proceed.



I'm not a robot



reCAPTCHA
Privacy - Terms

Book Descriptions:

Crosman rm 577 manual

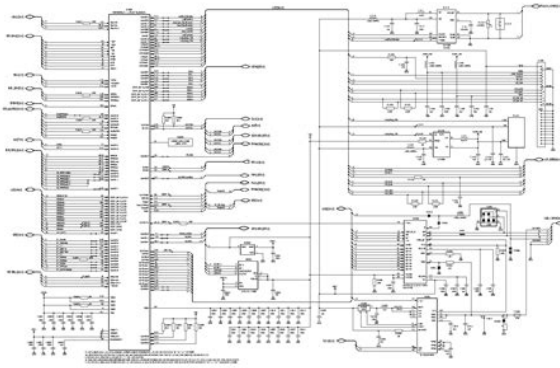


Well youve come to the right place because this category contains owners manuals and exploded views of parts diagrams. Click on the links below or you can even do a search. Please note that pricing on exploded view of parts EVPs is subject to change. For current prices, please contact Customer Service at 18007AIRGUN 7247486. We recently changed some things on our PCP and Break Barrel Air Rifle warranties. For more information, head on over to our warranty page. Airgun safety is no accident. You must be 18 years or older to buy any air gun or air rifle in our store. Customer Support FAQ Bullseye Bucks Articles Manuals Schematics Contact Us Dealers Shopping Services Featured Products New Items Track Order Track Gift Card View Shopping Cart Gift eCards Catalog Confident Shopping About Us Privacy Policy Terms of Use Online Accessibility Airgun Guide Airgun Hunting laws by state Contact Us Pyramyd Air 5135 Naiman Parkway Solon, OH 44139 Phone 8882624867 Fax 12168960896 Home Manufacturers Affiliate Program Airgun Blog Airsoft Blog Airgun Resources American Airgunner Careers at PA Airgun Safety PyramydAir.com uses cookies to ensure you get the best experience on our website. By continuing to browse the site, you are agreeing to our use of cookies. You can find out more about how we use them here. All Rights Reserved. All other designated trademarks, copyrights, and brands are the property of their respective owners. Shopping Cart Items Checkout Subtotal USD Does not include shipping and tax TOP. If you agree to our use of cookies, please continue to use our site. I took out the large diameter pin that seemed to be holding it in. Tried to repair the crack with glue no success. Questions 1 where can I get exploded view Assembly diagram, and a parts list 2 where can I get a replacement plastic rear cover piece 3 How the heck do you get that large diameter cross pin back IN <http://duvarkagidierzincan.com/userfiles/franchi-i-12-shotgun-manual.xml>

- **crosman rm 577 manual.**



4 Know any Vendors who can replace that plastic piece and reassemble this Im in New Hampshire Thanks. This crosman was manufactured by Mendoza, a Mexican company. I took out the large diameter pin that seemed to be holding it in. Tried to repair the crack with glue no success. Questions 1 where can I get exploded view Assembly diagram, and a parts list 2 where can I get a replacement plastic rear cover piece 3 How the heck do you get that large diameter cross pin back IN . 4 Know any Vendors who can replace that plastic piece and reassemble this Im in New Hampshire Thanks.OK Join Information. Yes No Choose Display Mode Original Dark DONE. Discover everything Scribd has to offer, including books and audiobooks from major publishers. Start Free Trial Cancel anytime. Report this Document Download Now Save Save Crosman RM377 Air Rifle Manual For Later 0 ratings 0% found this document useful 0 votes 584 views 2 pages Crosman RM377 Air Rifle Manual Uploaded by ddoughty1091 Description Full description Save Save Crosman RM377 Air Rifle Manual For Later 0% 0% found this document useful, Mark this document as useful 0% 0% found this document not useful, Mark this document as not useful Embed Share Print Download Now Jump to Page You are on page 1 of 2 Search inside document Browse Books Site Directory Site Language English Change Language English Change Language. Do not ever point the air rifle at any person. Do not ever point the air rifle at anything you do not intend to shoot. Do not pull past this point and do not use Be careful not to pinch your hands or fingers in the hinge area of the air rifle.Once again, be careful not to pinch your hands or fingers. If you cannot safely unload your air rifle by firing it, see Step 6. Removing a Jammed Pellet. Loosen the elevation slide lock knob by turning it c o u n t e r clockwise. Then, turn the elevation knob counterclockwise to make the pellet hit higher on the target.<http://dwaynevernon.com/fckfiles/franchi-rennaissance-classic-owners-manual.xml>



Customer Care (CRM) / Complaint Management
 Confidential Copyright © 2023/2024 Only for training and service purposes v1.0 | 12.02.2024 | 6700 slide/PH/57/HR/577 | Board version: 30wa.01a | 14W5, 10B, Memory Camera, Sensor | Page 2/10

Move the elevation knob clockwise to make the pellet hit lower on the target. Then, lock the elevation slide in place by turning the elevation slide lock knob clockwise. Fig. 5a The rear sight can also be adjusted to shoot right or left windage. Turn windage knob counterclockwise to make the pellet hit to the left on the target. Move the rear sight elevator back to make the pellet hit higher on the target. Move the rear sight elevator forward to make the pellet hit lower on the target. When moving the elevator, slightly lift the rear sight and reset it on the desired notch in the elevator. Fig. 5b The rear sight may also be adjusted to shoot right or left windage. Move the sight to the right to make the pellet hit to the right on the target. Move the sight to the left to make the pellet hit to the left of the target. Then tighten the windage adjustment screws by turning them clockwise. Fig. 5c When you are sure of your. The pellet may It is best to shoot at paper bullseye A heavy blanket should be hung behind the Target Trap to prevent ricochet should you miss the backstop. THINK about what you will hit if you miss the target. The top of the front sight post should be even with the top of the hole in the rear sight. The bullseye should appear to rest on the top of the front sight. Do not try to reuse that pellet. Crosman Corporation or an Authorized Service Station will unjam your air rifle no cost during the warranty period. DO NOT use any other type of oil and DO NOT overoil as this can cause damage to your air rifle. To protect the outside finish of your air rifle, apply a few drops of oil and polish the entire surface with a flannel cloth. Be sure to use a ramrod of the If anything seems changed, like a Call the factory for assistance before using your air rifle again. Never reuse pellets. The pellet may bounce off or ricochet and hit someone or Use an Authorized Service Station or return it to the factory And remember, this air rifle is not a toy.

Treat it with the same respect you would a firearm. Always carefully follow the safety instructions found in this owner's manual and keep this manual in a safe place for future use. Use this manual to increase your enjoyment of this air rifle. For an Authorized Service Station near you, visit our web site at www.crosman.com or call Customer Service at 1800724 7486 or 5856576161. International customers should contact their distributor. DO NOT ATTEMPT TO DISASSEMBLE IT. Your air rifle requires special tools and fixtures to repair it. If you take it apart, you probably will not be able to reassemble it correctly. Crosman assumes no warranty responsibility under such circumstances. To register the serial number located on the barrel of your gun, please return the Product Registration form found in your owner's manual packet. The warranty is not conditioned on the return of the card. Transportation charges to consumer for repaired product. Damages caused by abuse or failure to perform normal maintenance See Step 7 . Any other expense. CONSEQUENTIAL DAMAGES, INCIDENTAL DAMAGES, OR INCIDENTAL EXPENSES, INCLUDING DAMAGE TO PROPERTY. SOME STATES DO NOT ALLOW THE EXCLUSION OR LIMITATION OF INCIDENTAL OR CONSEQUENTIAL DAMAGES, SO THE ABOVE LIMITATION OR EXCLUSION MAY NOT APPLY TO YOU. International Customers Please return product to your nearest distributor. If you do not know your distributor, please call 5856576161 and ask for our International Department for assistance. This warranty gives you specific legal rights, and you may also have other rights which vary from state to state and country to country. Misuse or careless use may cause serious May be

dangerous up to 750 yards 686 meters. Wash hands after handling. This may cause serious permanent damage to your air rifle. Do not shoot without a pellet in the chamber dry fire. This may permanently damage your air rifle. Never reuse pellets.

Use of any other ammunition can cause injury to you or damage to the air rifle. Did you miss your activation email I had the gun almost apart and removed one of the last screws, and the assembly exploded off the table into a bunch of pieces. Anyway, I found an excellent threepiece spring in there as well as maybe the spring guide was chewed up pretty well, and needing replacement. The gun was still working ok. Thanks in advance for your consideration, Pete I do not know the name of the tubular part, and it isnt jumpin off the parts list from any of the descriptions. If anyone knows the name of that part, I would order and replace it. For now though I just chucked it up in the drill press and removed all the paint and gouges etc and then polished it up to a near mirror finish with the buffy wheel. Hopefully that will help get rid of the noise. I have a RM377 Mendoza that I bought because it was like new and cheap a few years ago. What a nice gun for little money. It is very very accurate and good quality in fit and finish. It is always my go to gun for a quick shot at a pest. I re worked the trigger and really made a good shooter out of it. You need a spring compressor to safely assemble and disassemble most spring piston rifles. Good luck with it and please do let us know how it turns out. Scotty I will look at the spring compressor cajunboy. This was my first disassembly of the spring area and I have learned what not to do. I will take your advice and build a compressor. Cuban cigar, can you tell me what part of the trigger that you polished up. Im hoping to reduce some of the take up before the gun fires. That would also decrease sear latching, bringing you closer to accidental discharge. Better to polish what youve got, perhaps adding thin washers to reduce side play pop can aluminum makes good shim washers. As with any trigger job, be careful to preserve surface angles and not round over sharp corners.

<https://pizzeria-mammamia.com/images/compaq-cq40-manual-desarme.pdf>

Unfortunately there are no dropin upgrades for the RM series rifles. Anything you can imagine you will also have to make yourself. Pyramydair was kind enough to suggest a replacement main spring that was not listed online contact them and perhaps they can do the same for you. The Crosman RM577 was made by Mendoza of Mexico. All of their RM series rifles have similar construction. For example, here is a link for a RM600 schematic Its the same as your RM577, with the exception of the newer doublebladed trigger and the muzzle brake. It was a fun project. If I can get it back together, I will post a new picture and maybe a target. Now I have to make a compressor for the spring. At first the gun was way harder to cock that is was previously. My old arms had forgotten how it must have originally been. Secondly, the piston release wouldnt engage the trigger assembly. A bit of fiddling around in the trigger area solved that and the gun would stay in the cocked position. I ran a patch through it and then shot about 15 pellets through it. I got a much louder report and lots of smoke then it went back to normal with no smoke during firing. It was late last night when I got done and today a bit cold, so I have no target to share. Ill have to resight it and get that target posted as my next order of business.Its much appreciated. Maybe I can make this spring last another 8 years,. Pete. Did you miss your activation email I bought this airgun in my teens Im now 37 and it has been an amazing shooter and hunter since I could remember. Thousands of pellets over the years and I had never done anything to it. Recently picked it back up from the attic in my parents house and dusted it off. Shot it a couple of times and noticed it was very weak. I called PA and spoke to Gene he was a tremendous amount of help, which he went way out of his way with details on how to rebuild this rifle.

<http://luttrellengraving.com/images/compaq-cq40-service-manual-download.pdf>



Gave me some good pointers and after tearing it down and inspecting it, to my surprise the piston seal was in excellent shape. But I explained to Gene how it felt very underpowered. So a new main spring was ordered. I mounted a CP 3940AO and refinished the stock also and painted the trigger guard. The trigger can definitely use a tune to soften it up, but this thing is a tack driver now. Debur, new grease and cleaning of the barrel inside and out, got rid of all the rust with some very fine steel wool and RemOil. Im so glad I took the time and energy to bring it back to life. I wish I had a Chrony next on my wanted list cause its hitting with authority and now looks as good as it shoots again. Sorry, completely forgot to take a picture of the before, but just imagine a rusted barrel, ugly scratched up stock and a weak hitting rifle the only before picture. Ive got two Mendozas, a RM3000 with a TH stock and a RM 2000 break barrel repeater. Now they call it a RM7000 I think. I like the dual triggers and the way the back of the stocks swoop down. Sold a Mendoza made TF M8 last month to a friend. He seems to like it. I still have a TF M12. It doesnt have the dual triggers but it shoots ok and its a pretty rifle. The friend bought the M8 just bout a M12. You did a great job on yours. Im envious. Id love to find the dual cal. Mendozas quality with that series ran hot and cold, and Im happy you got a good one. You can spot a Mendoza a mile away by that little curve at the bottom of the butt pad. My RM577 took a different direction. If you tear into the trigger, a friend to offer a third hand will be a great help when installing the spring. Buttoning the piston also helped in my case. My RM577 came from the Bargain Cave at Cabelas with a broken spring. Like you, I found PA to be very helpful. They even emailed me a year after the fact to see how things went. I also have a Crosman Mendoza RM677 waiting for inspiration.

Ive got two Mendozas, a RM3000 with a TH stock and a RM 2000 break barrel repeater. Now they call it a RM7000 I think. I like the dual triggers and the way the back of the stocks swoop down. Sold a Mendoza made TF M8 last month to a friend. He seems to like it. I still have a TF M12. It doesnt have the dual triggers but it shoots ok and its a pretty rifle. The friend bought the M8 just bout a M12. You did a great job on yours. Im envious. Id love to find the dual cal. Thanks for the compliments man, they mean alot. Dont know how to post links. I just go to google.com and I guess it would work with any search engine. Then type in amazon mendoza golden scorpion air rifle. Thats what that vender calls it. But its a RM3000. Under the heading is By Mendoza in blue letters and it goes to more Mendoza. Two are also RM3000 but they call one a Black Hawk and it has a black plastic stock. On the google page youll also see Mendozas site and at the bottom of their page is a English selection to click and see all their guns. Most arent available in the U.S. but they got some nice guns like the Extreme and you can see the other side of the RM300. Its got some cool brand stuff engraved in the wood. Let us know if you get one. Id like to know how you like it. They aint high

dollar German guns but I likeem. Later, Tim. All the models seem to have pretty much identical specs.Great looking rifles though.ALL of em. I love its smoothness and ease of offhand shooting. The muzzle brake looks similar to the one I put on mine as well. Very nice touch indeed and makes the cocking effort much easier. The muzzle brake came on it stock as well as on the TF M12. The M12 doesnt have the dual triggers but its not bad. Little bit bigger. Its a pretty gun also. PA and AGD sale them. I read PA made a deal with Mendoza and speced them out and branded them Tech Force. Only reason I sold it was to thin the heard. On the RM 3000 those sling mounts are sturdy. The sling is cheap.

<https://discoveryenglish.org/wp-content/plugins/formcraft/file-upload/server/content/files/16287d16f5af83---california-star-test-coordinator-manual.pdf>

I replaced it with a Chinese AK sling. I wouldnt recommend the repeater break barrel. Its okay but can be a little trouble some times. I sometimes load it directly in the barrel single shot. That way it only loses about 20fps. Funny the moderator put this in the Spanish forum.Air Gun Tuning and Targets Air Guns Sheridan Blue Streak, aka The Blue Demon Rebuilt Steroid Style By Mac1. FWB124 with ARH Old School Kit. Gamo Silent Cat, tuned by Me, smooth as butter. Gamo CFR SamYang Dragon Claw.50 Hatsan BT65 Big Nasty FD PCP PNG Benjamin Maximus Needs Work Crosman Custom Shop 2300 Just fun I mounted a CP 416x40 scope and to the garage I went to start the zero procedure. It cocked as smooth as butter and the trigger is less than 3 lbs guessing. I will measure it Saturday.I mounted a CP 416x40 scope and to the garage I went to start the zero procedure. It cocked as smooth as butter and the trigger is less than 3 lbs guessing. I will measure it Saturday.Im super happy with my RM577 and it has been fun to shoot for the past several days. It really likes the AA field heavy.177 10.34gr pellets! Ill get some group shots and post soon. You may have to register before you can post click the register link above to proceed. To start viewing messages, select the forum that you want to visit from the selection below. Please let us know! On the purchasing of your firearm, you will need to submit an application with comprehensive motivation to the SAPS. Let us take the effort out of the process for you. We offer a previously owned firearms sales service. You can either sell your firearms to us, trade it in when you buy a new one or you can simply buy previously owned firearms from us.

alisawedding.com/upload/users/files/community-development-training-manual.pdf