



File Name: craftsman p2 technology manual.pdf

Size: 1441 KB

Type: PDF, ePub, eBook

Category: Book

Uploaded: 10 May 2019, 12:49 PM

Rating: 4.6/5 from 743 votes.

Status: AVAILABLE

Last checked: 12 Minutes ago!

In order to read or download craftsman p2 technology manual ebook, you need to create a FREE account.

[**Download Now!**](#)

eBook includes PDF, ePub and Kindle version

[Register a free 1 month Trial Account.](#)

[Download as many books as you like \(Personal use\)](#)

[Cancel the membership at any time if not satisfied.](#)

[Join Over 80000 Happy Readers](#)

Book Descriptions:

We have made it easy for you to find a PDF Ebooks without any digging. And by having access to our ebooks online or by storing it on your computer, you have convenient answers with craftsman p2 technology manual . To get started finding craftsman p2 technology manual , you are right to find our website which has a comprehensive collection of manuals listed.

Our library is the biggest of these that have literally hundreds of thousands of different products represented.



Book Descriptions:

craftsman p2 technology manual

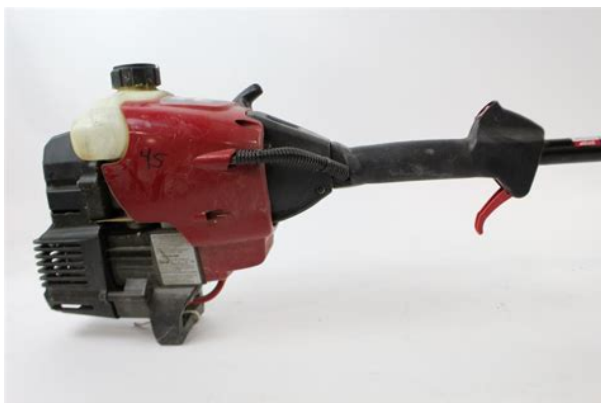


You can unsubscribe at any time. You can unsubscribe at any time. Attachment Capable Gas Hedge Trimmer Tough designs team up with cutting edge. Guts of a Truck. Craftsman Pro Series riding mowers and ZTRs offer cutting edge performance, strength, and durability. Check out some. Download the FREE Craftsman Smart Garage Door Opener app Craftsman Smart Garage Door Opener. Follow us as we journey across America introducing new products and opening new. Download the FREE Craftsman Smart Lock app Craftsman Smart Lock Tool Storage unlock. You can unsubscribe at any time. You can unsubscribe at any time. You can unsubscribe at any time. You can unsubscribe at any time. The Quick Change head allows you to convert from .095in. bump head to blades in seconds. The adjustable handle provides added control and easy right or lefthanded use. Its also Electric Start capable, eliminating manual pull starts with an electric engine starter starters sold separately. You can unsubscribe at any time. You can unsubscribe at any time. Old engine oil carries fine shards of metal created by the movement of the piston against the cylinder, and these can infiltrate the piston seal and cause a leak. When you change the oil, you not only eliminate these shards, you improve lubrication, because old oil loses its effectiveness as it wears out. Craftsman trimmers take SAE 30 motor oil, which is the same type of oil you put in your car. 1 Remove the wire from the spark plug of the Craftsman trimmer by pulling off the boot. This prevents the trimmer from accidentally starting up while youre working. 2 Place a 1 quart container, such as an old paint can or a jar, on your workbench. Unscrew and remove the oil plug. If your cup is graduated in metric units, thats 90 milliliters. Pour the oil into the crankcase. 5 Look into the oil fill hole with a flashlight to check the oil level. It should be just touching the bottom thread. Top it off if its lower than that. <http://www.mogadicho.com.br/ford-2000-diesel-tractor-manual.xml>

- **craftsman p2 technology just prime and pull manual, craftsman p2 technology manual, craftsman p2 technology manual pdf, craftsman p2 technology manual download, craftsman p2 technology manual 2017, craftsman p2 technology manual 2016.**



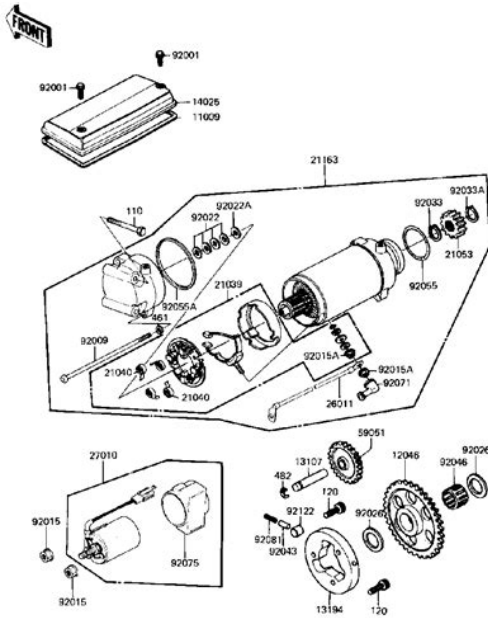
6 Replace the oil plug and snap the boot back onto the spark plug. Things Needed 1 quart container Rag Plastic measuring cup Flashlight Tips If you change the oil of the Craftsman trimmer often, store the old oil in a larger container and recycle the contents when its full. Most auto service centers accept old motor oil for recycling. Make sure the Oring is on the fill plug when you replace the plug. If it isnt, oil will leak from the plug. Change the oil in the Craftsman trimmer after every 25 hours of use. Besides having an abiding interest in popular science, Deziel has been active in the building and home design trades since 1975. As a landscape builder, he helped establish two gardening companies. Related How to Change the Oil in a Tecumseh Lawn Mower Model LV195EA How to Oil a Ryobi Battery Powered, Electric Chain Saw How to Change the Oil on a FeatherLite Weed Eater How to Change the Oil in a Yard Man Lawn Mower Model 12AV829C755 How to Start a Ryobi Electric Start Gas Trimmer How to Drain the Oil in a Honda Harmony II Lawn Mower Most Popular How to Change the Fuel Filter on a Push Mower Changing Oil in a Craftsman Riding Lawnmower How do I Remove Mixture From a Weed Eater. Box includes visor clip, 3V coincell lithium CR2032 battery and instruction manual. WARNING The Universal Mini Garage Door Remote by Chamberlain is intended for use with residential door openers manufactured after 1993 that use photoelectric sensors. Any garage door opener that does not have these sensors installed and working is not compliant with current federal safety regulations and should be replaced. We design and engineer residential garage door openers, commercial door operators and gate entry systems. Read our story. Login to post And getting compression but will not start. The primer bulb when pushed will not push in. Guessing I need to do something to new carb but what. Thanks in advance But on the Craftsman Community web page there is a link that says Feedback and Support. <http://www.communaute-st-yves.org/xmedia/ford-2000-manual.xml>



If you click that and fill out the form, someone should get back to you. I want to tune up tiller its blowing smoke. Lots of tillers are listed just by searching for Craftsman tiller. If you can find the model number usually on a plaque on the housing of the tiller, you can narrow down the list greatly. I hope this helps. Cindy Wells Is this an error Contradicts everything else Ive read. I am trying to winterize it using the karcher antifreeze. Answer questions, earn points and help others. Please check your inbox, and if you can't find it, check your spam folder to make sure it didnt end up there.

Please also check your spam folder. Assembly. Operation. Maintenance. Parts List Instructions For answers. Call 7 am 7 Identification of Safety Symbols. Safety Rules. Assembly. Operation. Maintenance Troubleshooting. Table. Emissions Statement Spanish This warranty excludes cutting line, spark plug and air filter, which are expendable This warranty applies for only 90 days from purchase date if this product is ever This warranty gives you specific legal rights, and you may also have other rights Use only specified trimmer This attachment is This unit can be dangerous! Careless Read the operators manual before use. Failure to follow Save operators Always wear hearing protection and Trimmer This power unit can be dangerous f Operator is responsible for following Never allow children to operate this unit. File Type Extension pdf. PDF Version 1.2. Linearized No. Page Count 22. Page Layout Single Page. Page Mode Use None. Producer Goby Monitor Application version 4, 0, 0, 13. Create Date Sun Aug 17 04:17:09 2008. Author. Title. Subject. In September 1997 a crossover version called the V70 XC or V70 Cross Country was introduced. It was based on the P3 platform and marketed as the V70 and the XC70. The Volvo logo on the front grill was redesigned, the square XC style roof rails replaced the rounded version and black edge stickers on the rear doors were removed.

New engine management systems with drivebywire throttle replaced the mechanical throttle on all petrol turbo models, the turbo diesel engine retained a cable actuated throttle. Allwheel drive models received thicker rear brake discs and redesigned rear calipers. Drivebywire throttle was introduced for all nonturbo petrol engines. The 2.0L V70 XC was discontinued. The petrol versions were part of the Volvo Modular Engine family, the diesel engines were purchased from VAG. Side Impact Protection System SIPS was standard on all V70 models. The S70 scored seven of 16 points in the front test, and 16 of 16 in the side test. The car received two of two points available in the pole test. The front fascia was redesigned, tail and head lamps were changed to clear covers, the center console and dashboard received detail changes. Some minor changes were made to the electrical system and some engines, such diesel engine models received a particle filter. A new 6speed automatic transmission was introduced, available in both AWD and FWD configurations. Production of the second generation V70 and XC70 ended with the 2007 model year. Liquefied petroleum gas LPG storage capacity was increased to a total of 100 litres 26 US gal, split into one 75 litres 20 US gal tank and two 12.5litre 3.3 US gal litre tanks. Early V70 XC featured special rear view mirrors, a feature that was discontinued after 2003. No diesel version was offered for the North American market. The petrol versions were part of the Volvo Modular Engine family. Early model years still used a fivecylinder diesel purchased from VAG which was phased out in favour of Volvos own fivecylinder diesel from the D5 Engine family. The S60 scored 10 of 16 points in the front test and 16 of 16 in the side test. The car received two of two points available in the pole test. Based on the Volvo P3 platform it shared numerous elements as well as general styling with the second generation Volvo S80.



Antisubmarining seats and overheadmounted seat belt reminder lights come standard. From model year 2014 onward, a TFT dashboard replaced the analogue instruments. Also featured is the WHIPS whiplash prevention system on the front seats. Safety options include active bending xenon headlights, auto dipping main beam, City Safety which includes pedestrian and cyclist recognition software, Collision Avoidance, adaptive cruise control and traffic following, driver alertness monitoring and lane departure warning. Traffic sign recognition is also available. The V70 scored 15 of 16 points in the front test and 16 of 16 in the side test. The car was penalised one point of two points available in the pole test for improper deployment of the curtain airbag in both the original test and the retest. The V70 was granted an additional two points for seat belt reminders of three available in this category. Retrieved 16 July 2017. Volvos new nomenclature is based on platform designations that denote both the type of model and its series lineage. The number following the letter provides a sense of the platform size. For example, the S90 is larger than the S70, which is in turn larger than the S40, Volvos small platform offering Retrieved 7 July 2017. All crucial work on the new V70 estate was fixed before the Ford takeover, and on its performance much of Volvos future ability to manage itself without excessive meddling must depend. Sharing the platform of the S80 saloon introduced in 1998, the V70 differs apart from in obvious respects only in suspension settings. Archived from the original on 27 January 2018. Retrieved 27 January 2018. Archived from the original on 27 January 2018. Retrieved 27 January 2018. CS1 maint others link CS1 maint others link Retrieved 3 January 2018. CS1 maint unfit url link Retrieved 26 November 2017. Retrieved 7 July 2017. Retrieved 25 October 2017. Retrieved 7 July 2017. Retrieved 7 July 2017. Retrieved 1 January 2018. Retrieved 7 September 2017.

<http://atlantichurricane.com/images/comet-30-series-manual.pdf>



Retrieved 7 July 2017. Retrieved 12 July 2017. Archived PDF from the original on 7 September 2017. Retrieved 7 July 2017. Retrieved 12 July 2017. Retrieved 12 July 2017. CS1 maint others link Retrieved 7 July 2017. Retrieved 7 July 2017. Retrieved 25 November 2017. Retrieved 7 July 2017. Retrieved 29 July 2017. Retrieved 8 January 2018. Part 1 Retrieved 29 July 2017. Retrieved 8 January 2018. Part 2 XC generation retrospective prior to V90 CC launch Retrieved 12 July 2017. Archived PDF from the original on 10 April 2017. Retrieved 7 July 2017. Retrieved 12 July 2017. Retrieved 12 July 2017. Cross Country Retrieved 29 July 2017. Retrieved 28 September 2017. Retrieved 30 December 2017. Retrieved 21 July 2017. Volvo Car Corporation. 2000. Archived from the original on 7 January 2018. Retrieved 7 January 2018. Differentiates between MY00 and MY01 Retrieved 26 June 2018. Archived from the original on 8 January 2018. Retrieved 8 January 2018. Archived from the original on 8 January 2018. Retrieved 8 January 2018. Retrieved 8 January 2018. Retrieved 29 September 2017. The Volvo V70 offers a brilliant synthesis of the latest Volvo dynamic design cues, while retaining the practicality and versatility expected of a proper Volvo estate. The side windows have a single, simple line running along the top from front to rear. This shows that the Volvo V70 was designed to be a wagon and is not an adapted saloon shape. As on every Volvo wagon, the third side window is longer than the others, to show it is a true load carrier. Retrieved 7 July 2017. Retrieved 7 November 2017. Retrieved 7 November 2017. Retrieved 7 November 2017. CS1 maint others link Retrieved 26 June 2018. Retrieved 18 August 2015. geolocked Retrieved 16 July 2017. Seeking to lure speedcrazy guys with kids, car makers are trying to transform the dowdy old family hauler into something new the manwagon.

In perhaps the most extreme sign of the industrys horsepower race, some of these wagons are quicker than a Porsche Boxster. But unlike a sports car, these wagons can fit strollers and coolers in the back. This melding of speed and sippy cups may seem unlikely, but car makers say their consumer research has unearthed a surprising number of family men who thought wagons could be cool, if only they had more guts. Retrieved 9 January 2018. By using this site, you agree to the Terms of Use and Privacy Policy. And by having access to our ebooks online or by storing it on your computer, you have convenient answers with Craftsman P2 Trimmer Manual. To get started finding Craftsman P2 Trimmer Manual, you are right to find our website which has a comprehensive collection of manuals listed. Our library is the biggest of these that have literally hundreds of thousands of different products represented. I get my most wanted eBook Many thanks If there is a survey it only takes 5 minutes, try any survey which works for you. Visitors can also get first hand Visitors can also get first hand To implement an ef On the other hand, because this co.ternal noise was connected to the LO signal was evaluated. On the other hand, when external noises at 19. Learn more about these updates in our blog. From potluck prep to regular weeknight meals, youll certainly appreciate. These freestanding ranges feature a steam rack in the oven. Kenmore is a registered trademark of KCD IP, LLC. And by having access to our ebooks online or by storing it on your computer, you have convenient answers with Craftsman Mini Tiller Repair Manual File Type Pdf. To get started finding Craftsman Mini Tiller Repair Manual File Type Pdf, you are right to find our

website which has a comprehensive collection of manuals listed. Our library is the biggest of these that have literally hundreds of thousands of different products represented.

<https://www.everhouse.lt/wp-content/plugins/formcraft/file-upload/server/content/files/16287845264289---cal-spas-manual-2010.pdf>

I get my most wanted eBook Many thanks If there is a survey it only takes 5 minutes, try any survey which works for you. We have a passion for innovation, a dedication to deliver results, and a strong commitment to all our customers. We also may share information about your usage to our third parties such as Google, Facebook and other social media, advertising and analytics partners. Click here if you'd like to learn more about cookies. Almost every website uses cookie technology. The cookie is downloaded by your Internet browser the first time you visit a website. The next time you visit this website from the same device, the cookie and the information in it are either sent back to the originating website firstparty cookies or to another website to which it belongs thirdparty cookies. By that, the website can detect that it has already been opened using this browser, and in some cases, it will then vary the content it shows. This assumes that you are using the same device and the same browser as before; if so, cookies will remember your preferences, will know how you use the website, and will adapt the content you are shown so that it is more relevant to your personal interests and needs. Cookies on this website that do not require approval. These cookies are used exclusively by this website and are therefore known as firstparty cookies. They are only saved on your computer while you are actually browsing the website. An example of why strictly necessary cookies are used is to ensure that what you see on screen corresponds to the data volume which your current Internet connection can handle. Another example of what these cookies do is facilitate a switch from http to https when you change pages, so that the security of data transmitted is maintained. Furthermore, a cookie of this kind is used to store your decision about the use of cookies on our website. Your consent is not required for the use of strictly necessary cookies.

Without these cookies, features that enable our website to be used easily, such as precompleted forms, will no longer be available. Settings you make, such as language choices, will no longer be saved, so you will be asked about them every time you change pages. As well as that, we will no longer have a way of presenting offers to you that are tailored to you personally. These thirdparty providers can place cookies while you visit the website, and in doing so can obtain information about the fact that you have visited the website. Please visit the websites belonging to those thirdparty providers if you need more information about how they use cookies. If you have decided not to provide your consent to the use of cookies that require it, or if you have revoked that consent, then you will only be provided with website features whose use does not require such cookies. Areas of the website that can potentially incorporate content from third parties, and which therefore place thirdparty cookies, will not be available to you if that is the case. If you do not want to accept cookies at all, then you can also configure that in your browser. Microsoft Internet Explorer IE Google Chrome Safari Firefox. Enter Custom Shop Try our Tool Finder Try our Tool Finder Hang out and pick up some new crafty tricks with the Leatherman crew at THE WORKBENCH. Please turn it on so that you can experience the full capabilities of this site. A unique blade exchanger, replaceable premium wire cutters and four outsideopening blades give you quick access to the tools you use most. The Surge was built for tough jobs and the hands that do them. That's why we offer our 25year warranty, so you can be confident your Leatherman lasts for a lifetime of use. Learn More. Holster included. Use the country selector to choose the country you wish to ship to.