

Candy automatic washing machine manual

14 Modo d'uso
15 Istruzioni per l'uso
16 Manutenzione
17 Altre informazioni

CM2
C2



File Name: Candy automatic washing machine manual.pdf

Size: 1253 KB

Type: PDF, ePub, eBook

Category: Book

Uploaded: 3 May 2019, 17:19 PM

Rating: 4.6/5 from 767 votes.

Download Now!

Please check the box below to proceed.



I'm not a robot



reCAPTCHA
Privacy - Terms

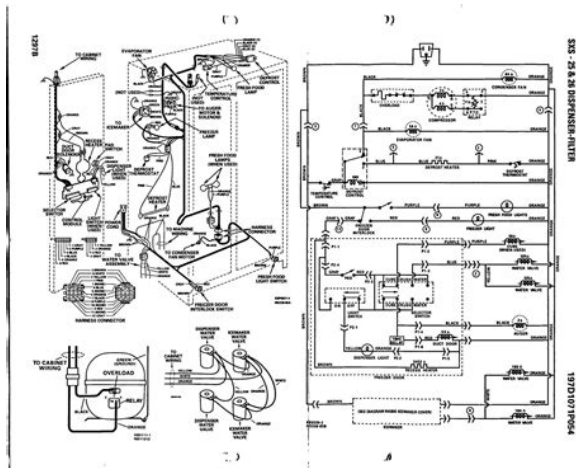
Book Descriptions:

Candy automatic washing machine manual



Keep all documentation in a safe place for future reference or for any future owners. Note this machine is solely for domestic use. Notes on disposal All packaging material used is environmentally friendly and recyclable. Ensure that the mains supply is earthed, and if it is not, seek assistance from a qualified person. D Do not touch the appliance when hands or feet are wet or damp. Do not use the appliance with bare feet. When washing with bleach use the compartment for softener. The washing machine needs very little maintenance Cleaning the drawer compartments. Cleaning the filter. Power failure. Fuse blown. Door open. 2. Does not fill with water See cause 1. All Candy washing machines comply with the safety requirements laid down by the Quality Trademark Institute. The manufacturer also reserves the right to make appropriate modifications to its products without changing the essential characteristics. General delivery notes Keep all documentation in a safe place for future reference or for any future owners. Safety notes Quick start Description of controls Note this machine is solely for domestic use. C Candy equips all its appliances with earthing. Ensure that the mains supply is earthed, and if it is not, seek assistance from a qualified person. Appliance start time can be set with this button, delaying the start by 3, 6 or 9 hours. "SENSITIVE CARE" button Proceed as follows to set a delayed start Select a programme Wait that a "Spin". Choosing a smaller spin speed by the appropriate button, the relevant indicator light will go on. Candy has given sports items their own wash care programme. The washing machine has a unique Sportswear programme. It is specially designed to wash mixed sportswear fabrics that cannot be washed on. This system enables the machine to use the amount of water needed to wash and rinse the laundry in relation to the particular load. <http://hocikto.info/userfiles/ditch-witch-jt2720-manual.xml>

- **candy automatic washing machine manual, candy automatic washing machine manual downloads, candy automatic washing machine manual template, candy automatic washing machine manual download, candy automatic washing machine manual pdf.**



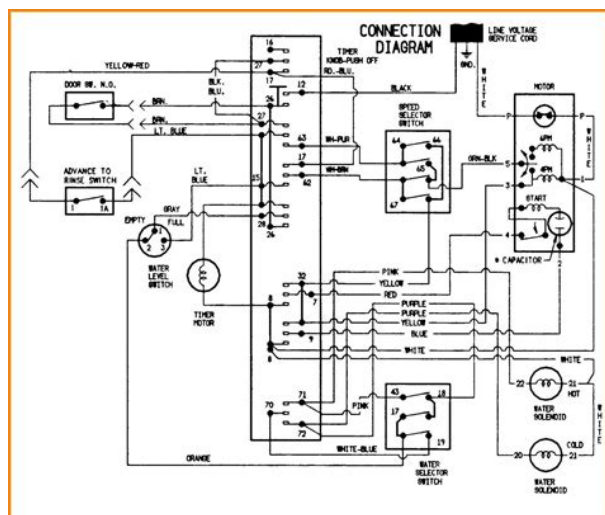
The detergent drawer is split into 2 compartments This results in a reduction of the water and electricity used, without in any way compromising the washing and rinsing performance. You will obtain the best results from your wash with the minimum use of chemical products Choice of detergent and the best care for your laundry if you take into consideration the degree of soiling as well General purpose detergents as the type of detergent to choose. The washing machine needs very little maintenance B Open the porthole. This will prevent Defects you can remedy yourself excessive loss of water via the filter. For the washing machine to function properly the terminal end of the discharge hose mouth must be at a minimum of 50 cm and a maximum of 85 cm from the ground. ELECTRICAL CONNECTIONS After installation, the appliance must be positioned so that the plug is accessible. By ensuring this product is disposed of correctly, you will help prevent potential negative consequences for the environment and human health, which could otherwise be caused by inappropriate waste handling of this product. Aquamatic washing machine is a unique solution on the market, perfect for who has limited space but still want the traditional front loading. With its 4 kg capacity fully meets the needs of singles or couples without children, allowing you to wash a full laundry daily. The smallest washing machine in the market Front Aquamatic washing machine is the smallest in the market. Not only small, but also the minimal amount of space. It saves 50% space offering features and performances in line with the traditional washing machines. Ideal for singles Front A little washing machine, the ideal solution for singles, second houses or small apartments. Find the more appropriate place to place your Aquamatic. It is perfect under the sink, in small spaces or inside a cabinet. If you want to learn more or opt out of all or some cookies, click here. <http://www.musorcentrum.hu/files/article/ditch-witch-jt920-manual.xml>



By continuing to browse the site you agree to our use of cookies. Please read these instructions for use carefully and all other information enclosed with the Introduction 2. Page 3 M N.B! Tips on using your domestic appliance in the most environmentally friendly and economical. Page 5 NO SPIN button Page 6 Detergent drawer A Programme selector The. Page 7 Sorting the laundry The correct way to wash Page 8 CHAPTER 10 TABLE OF PROGRAMMES Page 10 Transporting the appliance or long Do not use. Page 11 Note Page 13 Note we recommend you keep the transit bracket, Note it is advisable to turn off the tap after each. Page 14. General delivery notes 4 Keep all documentation in a safe place for future reference or for any future owners. Safety notes 4 Quick start 5 Useful advice for the user 6 Description of controls 7 Note this machine is solely for domestic use. Detergent drawer 10 Programme selector 11 The main wash 11 Notes on disposal Programme Table 14 All packa N If the appliance is not running properly or breaks down, switch it off, turn off the tap and do Please check that the following items are delivered with the appliance not tamper with the appliance. Consult only the Authorised Technical Support Service for possible repair and ask them to Instruction manual use original spare Loading the laundry B Open the porthole. Sort the laundry according to fabric type, degree of soiling and wash temperature Always follow the wash care advice on the garment label for the most suitable You will obtain the best results from your wash with the minimum use of chemical products Choice of detergent and the best care for your laundry if you take into consideration the degree of soiling as well General purpose detergents as the type of detergent to choose. Powder detergents, for a thorough wash, with bleaching agent, particularly suitable for The amount of deter Unscrews the two top screws A and remove the cover, sliding it off horizontally diagram 3. Remove the cardboard protection.

2 Unscrews the two tie braces B on the crosspiece with an H. 19 spanner and remove the polystyrene spacers under it diagram 4. Please do not fit the 2 tie braces. Ask your question here. Provide a clear and comprehensive description of the issue and your question. The more detail you provide for your issue and question, the easier it will be for other Candy Aquamatic 10T owners to properly answer your question. Ask a question About the Candy Aquamatic 10T This manual comes under the category Washing Machines and has been rated by 1 people with an average of a 8.2. This manual is available in the following languages English, Swedish, Danish, Norwegian. Do you have a question about the Candy Aquamatic 10T or do you need help. Ask your question here Candy Aquamatic 10T specifications Brand Scale deposits can be prevented by limiting washing at high temperatures and using the recommended amount of detergent per wash. ManualSearcher.com ensures that you will find the manual you are looking for in no time. Our database contains more than 1 million PDF manuals from more than 10,000 brands. Every day we add the latest manuals so

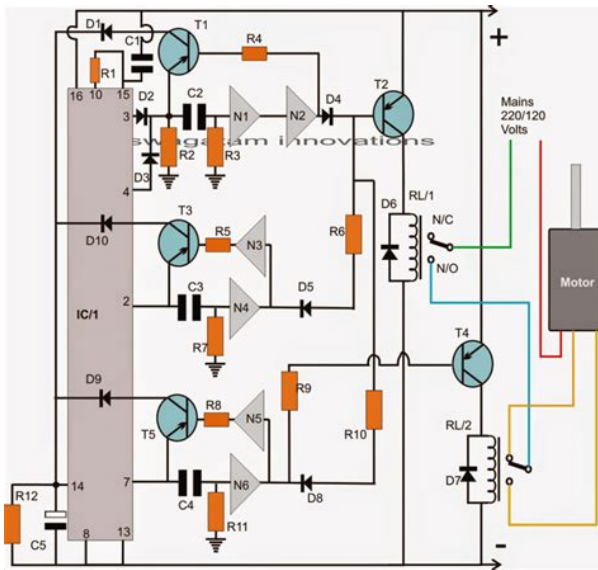
that you will always find the product you are looking for. Its very simple just type the brand name and the type of product in the search bar and you can instantly view the manual of your choice online for free. ManualSearcher. com If you continue to use this site we will assume that you are happy with it. Read more Ok. Post your question here in this forum. Were committed to dealing with such abuse according to the laws in your country of residence. When you submit a report, well investigate it and take the appropriate action. Well get back to you only if we require additional details or have more information to share. Note that email addresses and full names are not considered private information. Please mention this; Therefore, avoid filling in personal details. Please enter your email address.



<http://www.drupalitalia.org/node/80086>

Page 2 IT CZ FR PL COMPLIMENTI HERZLICHEN GLUCKWUNSCH. TOUS NOS COMPLIMENTS UVOD GRATULACJE Con l'acquisto di questo elettrodomestico Candy; Lei ha dimostrato di non accettare compromessi Lei vuole il meglio. Mit dem Kauf dieses Candy Elektrogerates haben Sie bewiesen, da. Sie stets nur das Beste wahlen ohne Kompromisse. En achetant cet appareil menager Candy, vous avez demontre que vous n'acceptez aucun compromis vous voulez toujours ce qu'il y a de. Page 3 IT 4 DE INDICE INHALT Prefazione Einleitung Note generali alla consegna Allgemeine Hinweise zur Lieferung Garanzia PL CZ FR CAPITOLO KAPITEL CHAPITRE KAPITOLA ROZDZIA A INDEX OBSAH SPIS TREECI Avantpropos Uvod Wstep 1 Notes generales a la livraison Vaeobecne pokyny pui puevzeti vyrobku Uwagi ogolne dotyczace dostawy Garantie 2 Garantie Zaruka Gwarancja Prescrizioni di sicurezza Sicherheitsvorschriften 3 Mesures de securite Pokyny pro bezpeone pouivani praoky Erodki bezpieczeostwa Dati tecnici. Page 4 FR DE IT PL CAPITOLO 1 KAPITEL 1 CHAPITRE 1 KAPITOLA 1 ROZDZIAA 1 NOTE GENERALI ALLA CONSEGNA ALLGEMEINE HINWEISE ZUR LIEFERUNG NOTES GENERALES A LA LIVRAISON VAEOBECNE POKYNY PUI PUEVZETI VYROBKU. UWAGI OGOLNE DOTYCZACE DOSTAWY Alla consegna controlli che con la macchina ci siano Kontrollieren Sie bei Anlieferung des Gerates, ob das folgende Zubehor mitgeliefert wurde A la livraison veuillez controler que le materiel suivant accompagne la machine Pui. Page 5 CZ PL CAPITOLO 2 KAPITEL 2 CHAPITRE 2 KAPITOLA 2 ROZDZIAA 2 GARANZIA GARANTIE GARANTIE ZARUKA GWARANCJA L'apparecchio e corredato da un certificato di garanzia che Le permette di usufruire gratuitamente del Servizio di Assistenza Tecnica. Der beiliegende Garantieschein und die OriginalKaufrechnung ermöglicht die kostenlose Inanspruchnahme des technischen Kundendienstes. Die Garantiezeit betragt zwei Jahre ab Kaufdatum. L'appareil est accompagne par un certificat de garantie. Niniejsze urzadzenie jest dostarczane z karta.

<https://artoftheark.com/images/brocade-icx-6450-user-manual.pdf>



Page 6 DE IT CZ FR CAPITOLO 3 KAPITEL 3 CHAPITRE 3 KAPITOLA 3 ROZDZIAA 3 PRESCRIZIONI DI SICUREZZA SICHERHEITSVORSCHRIFTEN MESURES DE SECURITE POKYNY PRO BEZPEONE POUIVANI PRAOKY ERODKI BEZPIECZENSTWA ATTENZIONE PER QUALSIASI INTERVENTO DI PULIZIA E MANUTENZIONE DELLA LAVATRICE ZUR BEACHTUNG BEI REINIGUNG UND WARTUNG DES GERATES ATTENTION EN CAS D'INTERVENTION DE NETTOYAGE ET D'ENTRETIEN POZOR. Gerat nicht an Adapter. Ne pas utiliser multiple oder Mehrfachsteckdosen anschließen. d'adaptateurs ou de prises multiples. Non permetta che Achten sie darauf, da Cet appareil ne doit pas Kinder nicht unbeaufsichtigt am Gerat hantieren. Non tiri il cavo di immer am. Page 8 IT CAPITOLO 4 FR DE CHAPITRE 4 KAPITEL 4 CZ KAPITOLA 4 PL ROZDZIAA 4 43 cm 70 cm 51 cm 14 CAPACITA' DI BIANCHERIA ASCIUTTA FASSUNGSVERMOGEN TROCKENWASCHE kg 3,5 CAPACITE DE LINGE SEC MAX. Page 9 IT FR DE PL CAPITOLO 5 KAPITEL 5 CHAPITRE 5 KAPITOLA 5 ROZDZIAA 5 MESSA IN OPERA INSTALLAZIONE INBETRIEBNAHME INSTALLATION MISE EN PLACE INSTALLATION UVEDENI DO PROVOZU INSTALACE USTAWIANIE I INSTALACJA Vybalte praoku a postavte ji na misto, kde bude stat. Uvolnete puivodni kabel a hadici. Pralke przeniec na palecie transportowej moaliwie jak najbliaej ostatecznego miejsca ustawienia. Uvolne oba dva vrchni "A" a odejmete viko arouby "A praoky. Odciac zaczepty. Page 10 IT DE FR Applichi il foglio di polionda sul fondo come mostrato in figura. Befestigen Sie die gewellte Bodenplatte wie in der Abbildung dargestellt. Appliquer la feuille supplementaire sur le fond comme dans la figure. Upevnete ke dnu praoky puiloieny protihlukovy atit z vlniteho materialu podle obrazku. Umieecic wyciszajacy materiaa tak jak pokazano na rysunku. Allacci il tubo dell'acqua al rubinetto. Den Zulaufschlauch an den Wasserhahn anschließen. Raccorder le tube. Page 11 IT Applichi la legenda adesiva in dotazione nella lingua appropriata sul supporto estraibile. Livelli la macchina con i piedini anteriori.

<http://as-seferovic.com/images/brocade-silkworm-12000-manual.pdf>



Page 13 IT DESCRIZIONE COMANDI BESCHREIBUNG DER BEDIENELEMENTE TASTO APERTURA OBLO TASTE ZUM OFFNEN DES BULLAUGES ATTENZIONE UNO SPECIALE DISPOSITIVO DI SICUREZZA IMPEDISCE L'IMMEDIATA APERTURA DELL'OBLO" ALLA FINE DEL LAVAGGIO. Questo risulta particolarmente importante per evitare irritazioni da residui di detersivo nelle persone con pelli particolarmente delicate. Mit dieser Taste wird zum Spulen mehr Wasser verwendet oder ein zusätzlicher Spulgang zugefügt. Dies ist besonders wichtig für Personen mit empfindlicher oder allergischer Haut. MANOPOLA. Page 15 IT MANOPOLA PROGRAMMI DI LAVAGGIO PROGRAMMWAHLSCHALTER ATTENZIONE NON RUOTI MAI LA MANOPOLA IN SENSO ANTIORARIO MA LA RUOTI IN SENSO ORARIO E NON PREMA IL TASTO MARCIA C PRIMA DELLA SELEZIONE DEL PROGRAMMA. Page 16 DE IT PL CAPITOLO 7 KAPITEL 7 CHAPITRE 7 KAPITOLA 7 ROZDZIAA 7 CASSETTO DETERATIVO WASCHMITTELBEHALTER TIROIR A LESSIVE ZASOBNIK PRACICH PROSTUEDKA SZUFLADA NA PROSZEK Il cassetto detersivo è suddiviso in 2 vaschette Der Waschmittelbehälter ist in 2 Fächer unterteilt. Le tiroir a lessive est divisé en 2 petits bacs Zasobnik pracich prostuedka je rozdelen do 2 oastí Szuflada na proszek jest podzielona na 2 przegródki la prima contrassegnata. Pour traiter les divers types de tissus et les différents degrés de salissures, la machine a 3 niveaux de programmes qui se. Page 18 IT CONSIGLI UTILI PER GLI UTENTI EINIGE NUTZLICHE HINWEISE Brevi suggerimenti per un utilizzo del proprio elettrodomestico nel rispetto dell'ambiente e con il massimo risparmio Wir möchten Ihnen im folgenden einige Hinweise für die richtige Nutzung Ihres Haushaltsgerätes, damit Sie es umweltschonend und mit der höchstmöglichen Ersparnis betreiben können. CARICARE AL MASSIMO LA PROPRIA LAVABIANCHERIA STETS MAXIMALE FULLUNG BELADEN Um Strom, Wasser und Waschmittel nicht zu verschwenden, empfehlen wir, Ihre.

Page 19 DE IT PL CAPITOLO 9 KAPITEL 9 CHAPITRE 9 KAPITOLA 9 ROZDZIAA 9 IL PRODOTTO DAS PRODUKT LE PRODUIT PRADLO PRODUKT ATTENZIONE se deve lavare tappetoni, copriletti o altri indumenti pesanti e bene non centrifugare. ACHTUNG Wenn Sie Kleinere Laufer, Tagesdecken oder ähnliche, schwere Textilien waschen, sollten Sie auf das Schleudern verzichten. ATTENTION si vous devez laver des tapis, des couvrelits ou d'autres pièces lourdes, nous conseillons de ne pas. Cotone, lino Ultimo risciacquo. Page 21 DE KAPITEL 10 GEWEBEART PROGRAMMTABELLE PROGRAMM FÜR FULLMENGE MAX. Page 23 CZ KAPITOLA 10 DRUH TKANINY Tabulka pracich programa PROGRAM PRO MAX. Bavlna, len Zavuane machani. È così possibile ottenere un bucato "personalizzato" anche dal punto di vista energetico. Questo sistema porta ad una diminuzione dei consumi d'energia e ad una riduzione sensibile dei. Page 26 IT ESEMPIO DI USO Guardi la tabella dei programmi di lavaggio, vedrà come Candy le consiglia di comportarsi BEISPIEL Candy zeigt Ihnen in der Tabelle, welche Vorgehensweise die beste ist. Apra

l'oblo con il tasto B. Riempia il cestello con. Page 27 IT DE Metta nella prima vaschetta I di lavaggio 60 g di detersivo. In das erste I Fach Hauptwasche ca 60 gr. Benutzen Sie für die auere Reinigung niemals Scheuermittel, Alkohol oder Verdünnungsmittel. Es genügt, wenn Sie die Maschine mit einen feuchten Lappen abwischen. Page 29 IT PULIZIA FILTRO La lavatrice è dotata di uno speciale filtro in grado di trattenere i residui più grossi che potrebbero bloccare lo scarico monete, bottoni, ecc. che possono così essere facilmente recuperati. Quando lo deve pulire si comporti così. Apra lo sportellino come mostrato in figura. Ruoti il filtro in senso antiorario fino all'arresto, in posizione verticale. Lo estragga e lo pulisca. Dopo averlo pulito. Page 30 DE IT KAPITEL 13 CAPITULO 13 FEHLVERHALTEN ANOMALIA 1. Non funziona con qualsiasi programma 2. Non carica acqua 3.

<http://sciencevier.com/wp-content/plugins/formcraft/file-upload/server/content/files/16270035388e3b--boss-br-800-manual-pdf.pdf>

Non scarica acqua RIMEDIO CAUSA Stecker nicht in der Steckdose Stecker einstecken Hauptschalter nicht eingedrückt Strom einschalten Inserire tasto. Interruttore generale Stromausfall Kontrollieren Manca energia elettrica Controllare Sicherungen defekt Kontrollieren Valvole impianto elettrico guaste Controllare Bullauge nicht geschlossen Bullauge schließen Sportello aperto Chiudere sportello Vedi cause 1 Controllare Siehe Gründe zu. Page 31 FR CZ CHAPITRE 13 KAPITOLA 13 ANOMALIE 1. Aucun fonctionnement sur n'importe quel programme REMEDE CAUSE La fiche n'est pas introduite dans la prise de courant Brancher la fiche L'interrupteur general n'est pas branché ZAVADA ODSTRANENI PUIOINA zastroka neni v zasuvce zasunte zastroku Brancher l'interrupteur general neni zapnutý hlavní spínač zapnete hlavní spínač L'énergie électrique est coupée Controler vypadek el. Page 32 PL ROZDZIA 13 LOKALIZACJA USTEREK USTERKA 1. Pralka nie działa na żadnym programie SPOSOB USUNIĘCIA PRZYCZYNA Kabel zasilający nie podłączony do sieci Waga wtyczka do gniazdka Waacznik nie został wciśnięty Wciśnij waacznik Brak zasilania Sprawdź sieć Przepalony bezpiecznik sieciowy. Sprawdź bezpiecznik Drzwiczki pralki otwarte Zamknij drzwiczki Patrz przyczyny 1. Sprawdź Kran doprowadzający wodę zakręcony. Odkręć kran. Pokręć programatora ale ustawione. Ustaw prawidłowo pokręć. Zagięty wąż doprowadzający wodę. Wyprostuj wąż. Kawałek. Page 33 04.02 41010566 Printed in Italy Imprime en Italie IT DE FR CZ PL. This document for download All trademarks and brands are the property of their respective owners. Who knows Maybe they will give it to you the next time that you will go. Its sadly broken and needs a motor and a door catch. Im keeping it tho, still sort of works. I love mine to pieces, would buy a motor but at the moment, Ive got other things to save up for. Still what can you say for something made cheaply in Italy that was sold for a ridiculous price.

BANHTRUNGTHUVIP.COM/upload/files/canon-i560-manual.pdf

Video Downloads Digital Millennium Copyright Act Policy Our Privacy Policy. For these purposes we created a catalog system, where all documents, that we have, are sorted by device name. The Candy Washer manuals are sorted by popularity among Guidissimo users by the number of downloads and views on our website. Notes on disposal All packaging material used is environmentally friendly and recyclable. Please help dispose of the packaging via environmentally friendly means. Page 3 General delivery notes Please check that the following items are delivered with the appliance Instruction manual Certificate of guarantee Inlet hose Check that no damage has occurred during transit, and if so, call your nearest Authorised Technical Support Service agent see Customer Service M N.B! If the appliance is installed on a carpeted floor ensure that the ventilation holes on the base of the appliance are not obstructed. Page 4 Useful advice for users Tips on using your domestic appliance in the most environmentally friendly and economical way Description of controls Fig. Page 5 NO SPIN button D By pressing this button it is possible to eliminate the spin drying on all programmes. Page 7 Sorting the laundry The correct way to wash It is recommended you wash only items which are machine washable with water and detergent and not dryclean items. Preparing the laundry A Select the laundry. If you need to wash rugs, bedspreads or other heavy items, it is best not to spin

them. Page 8 CHAPTER 10 FABRIC TABLE OF PROGRAMMES WEIGHT MAX kg PROGRAM FOR SELECT PROG. Liquid detergents, particularly suitable for grease stains, such as greasy skin marks, cosmetics and oil. These detergents are not suitable for washing stained laundry, as they do not contain bleach. The washing machine needs very little maintenance Cleaning the drawer compartments. Cleaning the filter.

Cleaning the drawer compartments Even if it is not strictly necessary, it is good to clean the compartments for bleaching detergents and additives occasionally. Not switched on. Power failure. Fuse blown. Door open. Plug it in. Switch on. Check. Check. Close door. 2. Does not fill with water See cause 1. Tap turned off. Programme selector not correctly positioned. Check. Turn on tap. Position programme selector correctly. 3. Water does not drain away Kink in discharge hose. Carefully cut through the hose retaining clip at the rear of the appliance diagram 2. Unscrews the two top screws A and remove the cover, sliding it off horizontally diagram 3. Remove the cardboard protection. Unscrews the two tie braces B on the crosspiece with an H. 19 spanner and remove the polystyrene spacers under it diagram 4. Page 13 Note we recommend you keep the transit bracket, braces and screws to immobilise the machine for future transit. The Manufacturers will not be responsible for any possible damage to the machine caused by not following the rules relating to releasing the mechanism. The user is responsible for all costs of installation. If you are here, it was rather the case. However, you are not the only person having problems with keeping the operation manual of all household devices. Below are few guidelines regarding how and why you should collect the product manuals. However, we believe that the manuals should include the most important and needed information about Candy Aquamatic 8T, not to discourage the user to read. Obviously, if a device Candy Aquamatic 8T has multiple advanced functions, we will not avoid a high amount of information in this document. Then, it will be much easier to find it than look through the purchase boxes which have already been thrown away by you or any other of household members. It will be enough to clear the drawer once in a year and throw away any manuals of the devices you do not use anymore.

Thus, you can avoid storing any unnecessary documents and keep only those which are valid. You can also download and print the manual Candy Aquamatic 8T to place it in your drawer. We know from our users' experience that most of people do not really attach importance to these manuals. Many instructions, immediately after the purchase, go into the trash along with the box, which is a mistake. Get acquainted with the information concerning the manual for Candy Aquamatic 10T, which will help you to avoid troubles in the future. You will then acquire basic knowledge to maintain Candy Aquamatic 10T in good operating condition to make it easily reach the intended life cycle. Then you can put away the manual on a shelf and use it again only in a situation where you're not sure whether you perform maintenance of the product appropriately. Proper maintenance is a necessary part of your satisfaction from Candy Aquamatic 10T. Once a year, clean the closet where you keep all your devices manuals and throw out the ones that you don't use. This will help you maintain order in your home base of manuals. Remember to post part A of the guarantee certificate within 10 days of the purchase date. Kontrollera att elanslutningen är jordad. Skruva loss de två fästskruvarna i locket och tag bort locket genom att dra det bakåt i horisontal nivå. Anslut tvättmaskinens tilllopps slang till vattenkräns. Apparaten bör kopplas till vattennätet med den medföljande påfyllnings slangen. Gammal slang får ej användas. BE SKUFFEN S beskrifningen är opdelt i to rum Klarskåpsrum. Skyllemiddel. Hvis der anvendes blegemiddel, brug da rummet til skyllemiddel. Hvis der ønskes vask med forvask, kom da stobemaskinewashed, woollen garments and other articles in wool must bear the " Machine Washable Label ". Hvis kun en del af tøj har pletter der kræver blegemiddel i s. Rengør maskinen udvendigt med en opvredet klud, evt. The appliance must be switched off and unplugged.

For prompt servicing, give the model of the washing machine, to be found on the label placed on the

cabinet inside of the porthole or on the guarantee certificate. Afbr yd str o m og vand. Tilkald Aut. Candy service. For hur tig ser vice opgiv da maskinens typenummer og serienummer, disse findes p a typeskiltet bag l a gerammen. For best mulig service ber vi deg oppgi vask emaskinens modellnummer som f innes p a typeskiltet eller garantibe viset. The manufacturer also reserves the right to make appropriate modifications to its products without changing the essential characteristics. T illverkaren patager sig inget ansvar for tryckfel i denna bruksanvisning. Why is it worth reading If something bad happens while using a Candy Aquamatic 10T, you will have a set of documents that are required to obtain warranty repairs. It is in this part of the manual that you will also find information about the authorized service points of Candy Aquamatic 10T as well as how you can properly maintain the device by yourself so as not to lose the warranty for the product. Use the instructions of the Candy Aquamatic 10T manufacturer to run the product properly, without unnecessary risk of damage to the equipment. You will also be able to find out what optional parts or accessories to Candy Aquamatic 10T you will be able to find and buy to your device. This is a very useful part of the manual which will save you a lot of time related to finding a solution. 90% of the problems with a Candy Aquamatic 10T are common to many users. Read to optimally use the Candy Aquamatic 10T and not to consume more power than is necessary for the proper operation of the product. You will learn what additional features can help you use the product Candy Aquamatic 10T in a comfortable way and what functions of your device are the best to perform specific tasks.

It is good to get acquainted with it to avoid disappointments resulting from a shorter exploitation time of the product Candy Aquamatic 10T than expected. However, if you cannot be convinced to collect manuals at your home, our website will provide you with help. You should find here the manuals for most of your devices, including Candy Aquamatic 10T. Please check your inbox, and if you can't find it, check your spam folder to make sure it didnt end up there. Please also check your spam folder. Please help dispose of the packaging via environmentallyfriendly means. Cut the power cable and dispose of it, together with the plug. Ensure that the mains supply is earthed, and if it is not, seek assistance from a qualified person. Do not use the appliance with bare feet. The "Door Security" indicator light will go out. Wait for 2 minutes after the wash cycle has finished and the " Door Security " light has gone out before opening the door. The button reduces spin speed to 600 r.p.m. If the load is slightly unbalanced the machine will rebalance it automatically to carry out the normal spin. This option may only be utilised on COTTONS and SYNTHETICS programmes. Candy is happy to present their new washing machine, the result of years of research and market experience through direct contact with Consumers. Keep all documentation for future reference or for any future owners. Check that the conductor is powerful enough to supply at least 3.0 kW, then connect the plug to a 10A earthed socket. Do not use the appliance with bare feet; m. Check there is no water left in the drum before opening the door; WARNING. The appliance must be connected to the water mains using new hosesets. The old hosesets should not be reused. At the end of the spin phase wait up to 2 minutes before opening the door. Detergent for this program should be added to the compartment of the soap drawer labeled "1" Please refer to Detergent Drawer Section of manual.

Selecting a greater degree of soiling using the special button will cause the corresponding indicator to light up. This system enables the machine to use the amount of water needed to wash and rinse the laundry in relation to the particular load. E Add any other laundry aids. F Close the drawer again. A charge will be made if the machine is found to be working or has been installed incorrectly or used incorrectly. Remember to send off the guarantee certificate for validation within 10 days of the date of purchase. Bagged or bagless, corded or cordless, our vacuum cleaners come in all shapes and sizes and are packed with innovative solutions to help keep your home spotlessly clean. Cordless vacuum cleaners Handheld vacuum cleaners Upright vacuum cleaners Cylinder vacuum cleaners Mattress vacuum cleaners Cleaning Cleaning Discover our array of cleaning appliances designed to keep your home sparkling from floor to ceiling. Whether youre looking for a carpet washer to deep clean your carpets, a polisher to protect your hard floors or a steam cleaner to tackle grime in your

kitchen and bathroom, we have the right product to help. Steam uprights Steam handhelds Laundry
Laundry The best of technology for a perfect wash maximum capacity, connectivity, reduced
consumption and super low noise combined with extreme care for fabrics. Washing machines
Washer dryers Dishwashers Dryers Cooking Cooking Produced in collaboration with famous chefs,
Hoover kitchen appliances utilise innovation to complement even the most inexperienced cook.
Ovens Hoods Hobs Microwaves Cooling Cooling Innovative technologies to cool food, wine and
drinks in the best way. Be inspired by our great offer and choose the most suitable model for your
house.

<http://www.diamondsinthemaking.com/content/3racing-tyre-truer-manual>