

MEX-BT2700/BT2707E/
BT2750

SERVICE MANUAL

Ver. 1.0 2008.11



Photo: MEX-BT2700

US Model
Canadian Model
AEP Model
UK Model
MEX-BT2700
Russian Model
MEX-BT2707E
E Model
MEX-BT2750

Model Name Library Similar Mechanism: NSW
 Mechanism Type: M2-1511-180P2
 Original Part No Name: DMS606

ALSO POWER RECOMMENDATION
 [BT2700 US model only]
 [BT2700 US model only]
 [BT2700 US model only]
 [BT2700 US model only]

SAFETY
 The product is not to be used in the following cases:
 - When the power cord is damaged or frayed.
 - When the product is used in a wet or damp place.
 - When the product is used in a place where the temperature is below 0°C (32°F) or above 40°C (104°F).
 - When the product is used in a place where the humidity is above 80%.

Bluetooth™ AUDIO SYSTEM

SONY

© 2008 SONY
 Sony Corporation
 Audio/Video Business Group
 Published by Sony Service Center Corporation

File Name: bt2700 manual.pdf

Size: 4427 KB

Type: PDF, ePub, eBook

Category: Book

Uploaded: 2 May 2019, 23:25 PM

Rating: 4.6/5 from 721 votes.

Status: AVAILABLE

Last checked: 6 Minutes ago!

In order to read or download bt2700 manual ebook, you need to create a FREE account.

Download Now!

eBook includes PDF, ePub and Kindle version

- Register a free 1 month Trial Account.
- Download as many books as you like (Personal use)
- Cancel the membership at any time if not satisfied.
- Join Over 80000 Happy Readers

Book Descriptions:

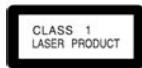
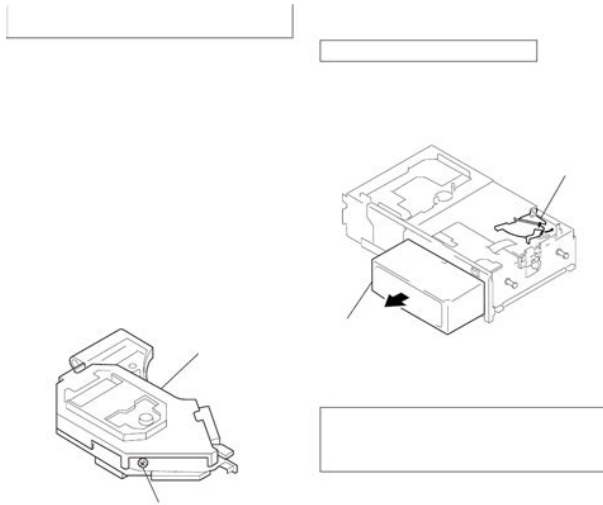
We have made it easy for you to find a PDF Ebooks without any digging. And by having access to our ebooks online or by storing it on your computer, you have convenient answers with bt2700 manual . To get started finding bt2700 manual , you are right to find our website which has a comprehensive collection of manuals listed.

Our library is the biggest of these that have literally hundreds of thousands of different products represented.

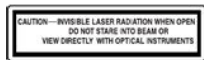


Book Descriptions:

bt2700 manual



This product is classified as a CLASS 1 LASER PRODUCT. The CLASS 1 LASER PRODUCT label is located on the rear exterior.

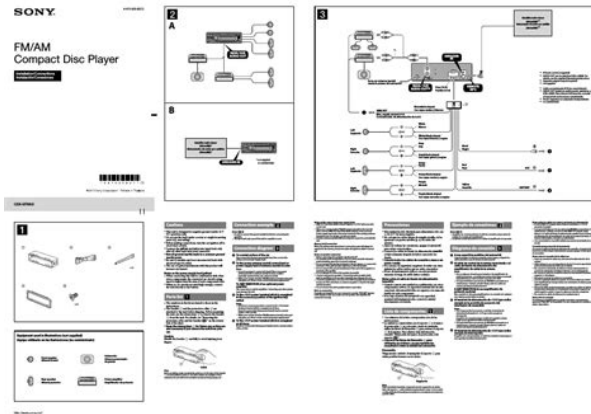


This label is located on the drive unit's internal chassis.

BT accepts no responsibility for damage caused to your BT2700 if you use any other type of batteries. Long press to make internal calls to other handsets registered to the base. Add a space when typing. Toggle between uppercase and lowercase characters. Flashes if you have new answer machine messages. Flashes when the handset is on a call. See page 51. caller display service, the caller's number will show on the display. Press to answer the call. You'll hear your call on the loudspeaker. Press to switch between the earpiece and loudspeaker. 2. Press to end the call. When set to On, the base and handsets won't ring. When you've found your handset, press again to stop the ringing. Press open your Blacklist. Use the arrow buttons to scroll through to the number you want to delete. When you've found it, press. Then press it again to confirm. When you've typed it, press 5. Type in your new PIN, press and then repeat this step. Your new PIN will be saved. When storing a number, press and hold and then continue typing it. Press it again when you see Phonebook. Their phone number will be dialed automatically. When a payphone it's full, the newest call will replace the oldest. You'll be asked to confirm. Select Save when you're finished. 5. Your memo will then be played back to you. When Handset screening is on, you'll hear them through the handset. Your new PIN will be saved. Use icon will be displayed on the home screen. When you get to the option you want, press your changes will be saved. This is a fourdigit number and the default is set to 0000. Press confirm. When your handset has finished resetting, you'll hear a confirmation beep. If the handset doesn't answer, press and hold again to talk to your caller. Check that you've stored the full STD dialling code. Try using another socket or line. Call your network provider or, if you're a BT customer, please call 0800 800 151 if you still have problems. Billing enquiries Please see the phone number shown on your BT

bill. <http://www.crigroups.com/home/content/45/11775545/html/admin/uploadsxxx/dbxr453et3ww-manual.xml>

- **bt2700 manual, mex bt2700 manual, bt2700 trio manual, bt2700 phone manual, bt2700 single manual, bt2700 twin manual, bt2700 quad manual, sony bt2700 manual, bt2700 user manual, sony mex-bt2700 manual, bt2700 manual, bt2700 manual, bt2500 manual, mex bt2700 manual.**



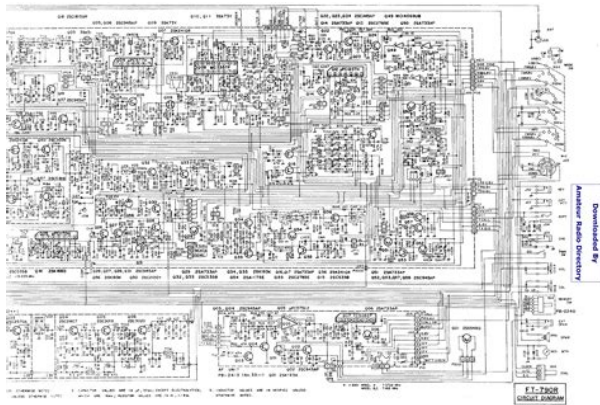
Services and equipment are provided subject to British Telecommunications plc's respective standard conditions of contract. Sony news in your inbox. Download our apps. Support Support Self Support Contact Support Community Register a Product Sign In Favorites Sony Rewards Electronics Registration Electronics Community Favorites Favorites Search Sony Sony Sites Search Sony To get the full experience on Sony.com, please change your settings to allow JavaScript. Wiring Harness Information The Voice Dial Feature Doesn't Work on My Bluetooth Audio System A beep sound occurs through the car stereo when the vehicle is turned off. We recommend downloading and installing the latest version of one of the following browsers Our site is not optimized for your current browser. A newer version of your browser may be available Chrome Chrome Download the latest version IE Internet Explorer Download the latest version Firefox Firefox Download the latest version Apple Safari Download the latest version Proceed with current browser for now Proceed with current browser for now. Ask your question here. Provide a clear and comprehensive description of the issue and your question. The more detail you provide for your issue and question, the easier it will be for other British Telecom BT2700 Nuisance Call Blocker Twin owners to properly answer your question. Ask a question About the British Telecom BT2700 Nuisance Call Blocker Twin This manual comes under the category Phones and has been rated by 1 people with an average of a 6.4. This manual is available in the following languages English. Do you have a question about the British Telecom BT2700 Nuisance Call Blocker Twin or do you need help. Ask your question here British Telecom BT2700 Nuisance Call Blocker Twin specifications Brand ManualSearcher.com ensures that you will find the manual you are looking for in no time. Our database contains more than 1 million PDF manuals from more than 10,000 brands.<http://xn--42-6kcdlkbomh7beggito5p.xn--p1ai/userfiles/dbxr453ev0ww-manual.xml>



Every day we add the latest manuals so that you will always find the product you are looking for. Its very simple just type the brand name and the type of product in the search bar and you can instantly view the manual of your choice online for free. ManualSearcher. com If you continue to use this site we will assume that you are happy with it. Read more Ok. The more detail you provide for your issue and question, the easier it will be for other British Telecom BT2700 Nuisance Call Blocker Trio owners to properly answer your question. Ask a question About the British Telecom BT2700 Nuisance Call Blocker Trio This manual comes under the category Phones and has been rated by 1 people with an average of a 5.7. This manual is available in the following languages English. Do you have a question about the British Telecom BT2700 Nuisance Call Blocker Trio or do you need help. Ask your question here British Telecom BT2700 Nuisance Call Blocker Trio specifications Brand ManualSearcher.com ensures that you will find the manual you are looking for in no time. Operating InstructionsThe model and serial numbers are located on the bottom of the unit. Record the serial number in the space provided below. Refer to these numbers whenever you call upon your Sony dealer regarding this product. Model No. MEXBT2700 Serial No. To cancel the demonstration DEMO display, see page 7. Pour annuler l’affichage de demonstration DEMO, reportezvous a la page 7.For the state of california, USA only. Warning. This equipment has been tested and found toThese limits are designed to provide reasonableThis equipmentHowever, there is no guarantee that interferenceThis transmitter must not be colocated orThis equipment complies with FCC and IC Supplement C to OET65 and RSS102 of the. IC radio frequency RF Exposure rules. ThisYou are cautioned that any changes orPerchlorate Material Lithium battery containsNote on the lithium battery.

Do not expose the battery to excessive heat such asThe Bluetooth word mark and logos are ownedOther trademarks and trade names are those ofWindows Media, and the. Windows logo are trademarksMicrosoft Corporation in the. MPEG Layer3 audio coding technology andThis product is protected by certain intellectualMicrosoft or an authorized Microsoft subsidiary.For HD RadioTM tuner operation, please refer toHD RadioTM and the HD Radio Ready logo areThe “SAT Radio Ready”Radio and SAT Radio Ready logos and allRadio Inc. and XM Satellite Radio Inc. Warning if your car’s ignition has no. ACC position. Be sure to set the Auto Off function page 18. The unit will shut off completely andIf you do not set the Auto Off function, pressGetting Started. Playable discs on this unit..... 6. Notes on Bluetooth..... 6. Resetting the unit..... 7. Canceling the DEMO mode..... 7. Preparing the card remote commander..... 8. Setting the clock..... 8. Detaching the front panel..... 8. Attaching the front panel..... 9. Location of controls and basicMain unit..... 10. Card remote commander RMX304..... 12. Radio. Storing and receiving stations..... 13. Storing automatically — BTM..... 13. Storing manually..... 13. Receiving the stored stations..... 13. Tuning automatically..... 13Repeat and shuffle play..... 13. Bluetooth Handsfree calling and. Music streaming. Bluetooth operations..... 14. About Bluetooth icons..... 14.

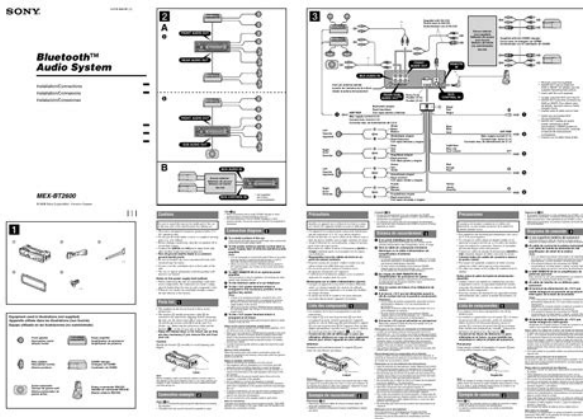
Connection..... 15. To switch the Bluetooth signal output of this
 Connecting a cellular phone..... 15. Connecting an audio device..... 15. Handsfree calling..... 15.
 Receiving calls..... 15. Making calls..... 16. Call transfer..... 16.
 Voice Dial Activation.....



<http://www.drupalitalia.org/node/72097>

16. Music streaming..... 16. Listening to music from an audio
 Operating an audio device with this
 Deleting registration of all paired devices... 17. Other functions. Changing the sound settings. Adjusting the sound characteristics. Customizing the equalizer curve
 Using optional equipment. Auxiliary audio equipment. CD changer. Rotary commander RMX4S.....
 Precautions. Notes on discs. About MP3 files. About WMA files. About Bluetooth function. Maintenance. Removing the unit. Specifications. Troubleshooting.....
 If you have any questions or for the latest support information on this
 Notes on Bluetooth. Playable discs on this unit. This unit can play CDDA also containing CD
 Type of discs
 Caution
 Changes or modifications to this unit not expressly
 Please check for exceptions, due to national
 Driving. Check the laws and regulations on the use of cellular
 Always give full attention to driving and pull off the
 Connecting to other devices. When connecting to any other device, please read its
 RF signals may affect improperly installed or
 Consult with the manufacturer of your car to ensure
 Check regularly that all wireless device equipment
 Emergency calls. This Bluetooth car handsfree and the electronic
 Therefore do not rely solely upon any electronic
 Remember, in order to make or receive calls, the
 Emergency calls may not be possible on all cellular
 Check with your local service provider. Resetting the unit. Before operating the unit for the first time, or
 Detach the front panel page 8 and press the. RESET button page 10 with a pointed object,
 Note. Pressing the RESET button will erase the clock setting
 Canceling the DEMO mode. You can cancel the demonstration display which
 Press and hold the select button. The setup display appears. Press the select button repeatedly
 Rotate the control dial to select
 The setup is complete and the display returns
 Remove the insulation film. Detaching the front panel. You can detach the front panel of this unit to
 Caution alarm.

<https://academyocgc.com/images/bosch-wfl-2851-manual.pdf>



If you turn the ignition switch to the OFF The alarm will only sound if the built in Tip. For how to replace the battery, page 23. Press OFF. The unit is turned off. Press Setting the clock. The clock uses a 12 hour digital indication. Press and hold the select button. Press the select button repeatedly The hour indication flashes. Rotate the control dial to set the hour To move the digital indication, press SEEK. After setting the minute, press the The setup is complete and the clock starts. To display the clock, press DSPL. Press Notes Avoid leaving it in a parked Engage part A of the front panel with part B of Note. Do not put anything on the inner surface of the front Main unit Front panel removed This section contains instructions on the location For details, see The corresponding buttons on the card remote A OFF button. To power off; stop the source. Radio. To tune in stations automatically press; find To skip tracks press. C SOURCE button. D BT BLUETOOTH button page 14 To adjust volume rotate; select setup items Insert the disc label side up, playback G Display window. H AUX input jack page 19. To connect a portable audio device. I Z eject button. To eject the disc. To change display items press; scroll the SAT tuner being connected; when SOURCE is L MODE button page 13. To start the BTM function press and hold. N Number buttons To skip albums press; skip albums Radio. To receive stored stations press; store Bluetooth phone O Receptor for the card remote P RESET button page 7. Q Microphone page 15. Note. Do not cover the microphone, the handsfree To scroll the display item. Card remote commander Setup, sound setting, etc., can be operated by. Rotate the control dial to adjust the After 5 seconds, the setting is complete and Operations other than the above should be Notes Tip. You can connect a cellular phone that supports A2DP Deleting registration of all Press OFF. This unit is turned off. If " " lights, press and hold Press and hold the select button. Initializing starts.

<https://www.accessoriperdisabili.com/images/bosch-wfl-2400-service-manual.pdf>



It takes 3 seconds to cancel all registration. Do not turn off the power while "INITIAL" is Press the select button repeatedly The following items can be set follow the page BAL Balance. Adjusts the sound balance between the left and FAD Fader. Adjusts the relative level between the front and Adjusts the subwoofer volume. Adjusts the volume level for each connected This setting negates

the need to adjust the Adjusts the volume level for each connected. Bluetooth audio device. This setting negates the Select a source, then press the select Rotate the control dial to select Rotate the control dial to adjust the The volume level is adjustable in 1 dB steps. Repeat steps 3 and 4 to adjust the equalizer To restore the factory set equalizer curve, After 5 seconds, the setting is complete and Tip. Other equalizer types are also adjustable. Adjusting setup items — SET. Press the select button repeatedly Rotate the control dial to select the Press and hold the select button. The setup is complete and the display returns. Displayed items will differ, depending on the source The following items can be set follow the page CLOCKADJ Clock Adjust page 8 Activates the AUX source display "ON," Switches the audio output "SUBOUT" DEMO Demonstration. Activates the demonstration "ON," "OFF.". DIM Dimmer. Changes the display brightness "ON," "OFF.". A. SCRL Auto Scroll. Scrolls long items automatically "ON," "OFF.". LOCAL Local Seek Mode Selects monaural reception mode to improve Selects the subwoofer cutoff frequency "OFF," Reverse. Selects the phase when the LPF is on "NORM," LOUD Loudness. Reinforces bass and treble for clear sound at low BTM page 13 Auxiliary audio equipment. By connecting an optional portable audio device The volume level Connecting the portable audio CD changer. Selecting the changer Unit number. Playback starts. Skipping albums and discs. To skip Adjust the volume level.

Be sure to adjust the volume for each connected Disc number Repeat and shuffle play Select To return to normal play mode, select "Rotary commander RMX4S. The operative direction of the controls is factory set as shown below. Attaching the label. Attach the indication label depending on how To increase. To decrease Location of controls. The corresponding buttons on the rotary To attenuate the sound. To cancel, press again. The same as the select button on the unit. Radio To receive stored stations push in and The same as the control dial on the unit rotate. To change display items. Precautions Moisture condensation. Folder Should moisture condensation occur inside the unit, To maintain high sound quality. Do not splash liquid onto the unit or discs. Notes on discs About MP3 files Note. If you play a high bitrate MP3, such as 320 kbps, About WMA files Note. Playback of the following WMA files is not supported. What is Bluetooth technology Bluetooth wireless On Bluetooth communication Maximum communication range may vary LAN device, turn off the wireless LAN device. Turn off this unit and other Bluetooth devices in Be careful when Others Bluetooth device, stop using the Bluetooth device If you have any questions or problems concerning Maintenance. Replacing the lithium battery of the Under normal conditions, the battery will last When the battery becomes weak, the range of the The unit may not function properly if the connectors Otherwise, the connectors Main unit. Back of the front Notes Notes on the lithium battery. Should the battery be swallowed, immediately Do not recharge, disassemble, or dispose of Fuse replacement. When replacing the fuse, be Fuse 10 A Specifications. Remove the protection collar. CEA2006 Standard. Power Output 17 Watts RMS 4 at Il est possible d'atteindre la configuration, le Remarques Conseil. Vous pouvez connecter un telephone mobile Distribution Profile comme peripherique audio et Suppression de Appuyez sur OFF. Cet appareil est mis hors tension.

<http://www.oknookna.pl/wp-content/plugins/formcraft/file-upload/server/content/files/1626c3ac40fd90--camera-samsung-s760-manual.pdf>

Appuyez sur la touche de selection et Appuyez plusieurs fois sur la touche L'initialisation commence. L'annulation de tous les enregistrements Autres fonctions. Changement des réglages du Réglage des caracteristiques du Appuyez plusieurs fois sur la touche Tournez la molette de réglage pour Après 5 secondes, le réglage est termine et Les parametres suivants peuvent etre regles BAL Balance. Permet de regler la balance du son entre les FAD Equilibre avant arriere. Permet de regler le niveau relatif entre les hautparleurs avant et arriere. Permet de regler le volume du caisson de graves. Permet de regler le niveau de volume de chaque. Ce réglage evite de regler le niveau de volume Permet de regler le niveau de volume de chaque Selectionnez une source, puis Tournez la molette de réglage pour. Appuyez plusieurs fois sur la touche. Tournez la molette de réglage pour Le niveau de volume

peut être réglé par. Répétez les étapes 3 et 4 pour régler la courbe. Pour restaurer la courbe par défaut. Après 5 secondes, le réglage est terminé. Conseil. D'autres types d'égaliseur peuvent aussi être réglés. Réglage des paramètres. Appuyez sur la touche de sélection et l'écran de configuration apparaît. Appuyez plusieurs fois sur la touche. Tournez la molette de réglage pour. Appuyez sur la touche de sélection et le réglage est terminé, la fenêtre d'affichage. Remarque. Les rubriques affichées diffèrent selon la source et les paramètres suivants peuvent être réglés. CLOCK ADJ Réglage de l'horloge page 8 DEMO Demonstration. DIM Régulateur de luminosité. Permet de modifier la luminosité de l'affichage. A. SCRL Défilement automatique. Permet de faire défiler automatiquement les. LOCAL Mode de recherche locale Permet de sélectionner le mode de réception. Permet de sélectionner la fréquence de coupure. Permet de sélectionner la phase lorsque le LPF. HPF Filtre passe-haut. Permet de sélectionner la fréquence de coupure. LOUD Intensité sonore. Amplifie les graves et les aigus afin d'entendre. BTM page 13. Changeur CD.

Selection du changeur. Utilisation d'un équipement en. Appareil audio auxiliaire. En raccordant un appareil audio portable en. Raccordement de l'appareil audio. Numéro de. La lecture commence. Saut d'albums et de disques. Pour ignorer. Lecture répétée et aléatoire. Réglage du niveau de volume. Avant de commencer la lecture, n'oubliez pas de. Sélectionnez. Pour revenir au mode de lecture normal. Modification du sens de. Fixation de l'étiquette. Le sens de fonctionnement des commandes est. Fixez l'étiquette comportant les indications en. Pour augmenter. Pour diminuer. Emplacement des commandes. Les touches du satellite de commande. Permet d'atténuer le son. Appuyez de nouveau. Identique à la touche de sélection de l'appareil. Radio pour capter les stations enregistrées. Identique à la molette de réglage de l'appareil. Permet de modifier les paramètres d'affichage. Précautions. Condensation. Si de la condensation se produit dans l'appareil, pour conserver un son de haute. Veillez à ne pas renverser de liquide sur l'appareil. Remarques sur les disques. Disc CD. Les Dual Discs et certains types de Disc CD, ils risquent donc de ne pas pouvoir être. Remarques sur les disques CDR et CDDA et les autres sessions ne sont pas lues. WMA plage. A propos des fichiers MP3. Layer 3, est un format standard de compression de. Remarque. Il est possible que le son soit intermittent lors de la. Remarque. La lecture des fichiers WMA suivants n'est pas prise. A propos de la fonction Bluetooth. Qu'est-ce que la technologie Bluetooth. Bluetooth est une technologie sans fil, il n'est pas. Communication Bluetooth. La portée de communication maximale peut varier. LAN sans fil. En pareil cas, prenez les mesures. Bluetooth aussi près que possible l'un de l'autre. Cependant, la. Soyez prudent lorsque vous communiquez au Bluetooth. Autres. Si vous avez des questions ou des problèmes. Entretien. Remplacement de la pile au lithium. Dans des conditions d'utilisation normales, la pile. Lorsque la pile est faible, la portée de la mini-telecommande diminue.

Remplacez la pile par une. L'utilisation de tout. Remplacement du. Lorsque vous remplacez le. Fusible 10 A. Sony le plus proche. Nettoyage des connecteurs. L'appareil risque de ne pas fonctionner. Pour éviter cette situation, n'exercez pas. Remarques sur la pile au lithium. Arrière de la. Remarques. Caractéristiques techniques. Retirez le tour de protection. Lecteur CD. Pleurage et scintillement en dessous du seuil. Radio. Radio FM. Borne d'antenne. Connecteur d'antenne externe. Fréquence intermédiaire 150 kHz. Sensibilité utile 10 dB. Selectivité 75 dB à 400 kHz. Séparation 40 dB à 1 kHz. Connecteur d'antenne externe. Fréquence intermédiaire 25 kHz. Retirez l'appareil. Communication sans fil. Système de communication. Norme Bluetooth version 2.0. Sortie. Portée de communication maximale. Bande de fréquences. Méthode de modulation FHSS. A2DP Advanced Audio Distribution Profile. AVRCP Audio Video Remote Control Profile. HFP Handsfree Profile 1.5. HSP Headset Profile. Tournez le. Sortie sorties haut-parleurs connecteurs de sécurité. Puissance de sortie maximale 50 W 4 à 4 ohms. Généralités. Sorties. Borne de sorties audio commutation avant. Borne de sortie du caisson de graves mono. Borne de commande de relais d'antenne électrique. Borne de commande d'amplificateur de puissance. Entrées. Borne d'entrée de telecommande. Borne d'entrée de l'antenne. Borne de commande ATT téléphone. Borne d'entrée de commande BUS. Borne d'entrée audio BUS. Prise d'entrée AUX mini-prise stéréo. Commandes de tonalité.

Alimentation requise batterie de voiture 12 V CC Dimensions environ 178 50 179 mm. Dimensions de montage environ 182 53 162 mm. Poids environ 1,2 kg 2 lb 11 oz. Accessoires fournis. Minitelcommande RMX304. Composants destinés à l'installation et aux Satellite de commande RMX4S. Cable BUS fourni avec un cable à broche RCA. RC61 1 m, RC62 2 m. Changeur CD 10 disques CDX757MX. Changeur CD 6 disques CDXT69. Selecteur de source XAC40. Selecteur AUXIN XA300. Adaptateur d'interface pour iPod XA120IP.

Recepteur HD Radio™ XT100HD. Il est possible que votre détaillant ne propose pas Demandez lui des informations détaillées. La conception et les spécifications sont sujettes à La liste de contrôles suivante vous aidera à remédier Avant de passer en revue la liste de contrôles Si le problème persiste, consultez notre site Site d'assistance L'appareil n'est pas alimenté. L'antenne électrique ne se déploie pas. L'antenne électrique ne dispose pas d'un boîtier de Aucun son. Aucun bip n'est émis. Le contenu de la mémoire a été effacé. Les stations mémorisées et l'heure sont Le fusible a sauté. Emission de bruit lorsque la position de la clé Les câbles ne sont pas raccordés correctement au Si aucune opération n'est effectuée pendant 5 minutes L'affichage disparaît de la fenêtre d'affichage La fonction arrêt automatique est inopérante. L'appareil est mis sous tension. La fonction arrêt Lecture de CD. Impossible d'introduire le disque. La lecture du disque ne commence pas. Le disque n'est compatible ni avec le format, ni avec la La lecture des types de disques suivants exige un délai Les rubriques d'affichage ne défilent pas. Le son saute. Les touches de commande sont inopérantes. Le disque ne s'éjecte pas. Appuyez sur la touche RESET page 7. Réception radio. Impossible de capter des stations. Le son comporte des parasites. Le raccordement n'est pas correct. Impossible de capter une préselection. Le réglage automatique des stations est Une émission FM en stéréo est entendue en L'appareil est en mode de réception mono. Fonction Bluetooth. Le périphérique à connecter ne détecte pas cet Impossible d'établir la connexion. Bluetooth ou vice versa. La connexion est contrôlée Réglez le niveau de volume. Un interlocuteur trouve le volume trop faible ou Réglez le volume en conséquence à l'aide du réglage ll y a de l'écho ou des parasites pendant les Par exemple si une fenêtre est ouverte et que le bruit Le téléphone n'est pas connecté.

Lorsque le son Bluetooth est lu, le téléphone n'est pas La qualité sonore du téléphone est mauvaise. La qualité sonore du téléphone dépend des conditions Le volume du périphérique audio connecté est Le niveau de volume varie d'un périphérique audio à Le son saute en cours de lecture d'un Impossible de commander le périphérique Vérifiez que le périphérique audio Bluetooth connecté Certaines fonctions ne sont pas activées. Vérifiez que le périphérique à connecter prend en Un appel commence involontairement. Le téléphone connecté est réglé pour répondre Si le son est émis par le téléphone mobile, réglez ce Appuyez sur la touche BT et maintenez la enfoncée Affichage des erreurs et messages FAILURE Reste allumé jusqu'à ce que vous appuyiez Les haut-parleurs ou les amplificateurs ne sont pas FAILURE Reste allumé pendant 1 seconde environ.. Quand un récepteur SAT est raccordé, échec de Le mode de recherche locale est active en cours de Si le message d'erreur Selon la structure du Pendant le retour ou l'avance rapide, vous avez atteint Le caractère ne peut pas être affiché. Si ces solutions ne permettent pas d'améliorer la Si vous portez l'appareil à réparer en raison d'un Read Troubleshooting in these. Operating Instructions.

<http://www.drupalitalia.org/node/72098>